

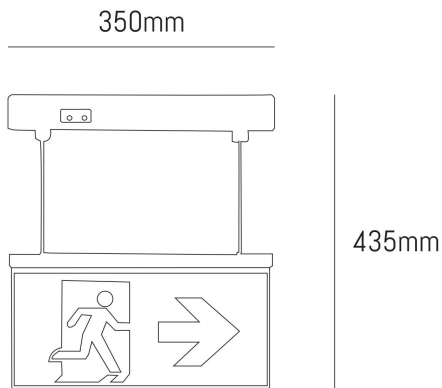


EMLEDXBM

2.7W 4-in-1 IP20 LED Emergency Exit Sign

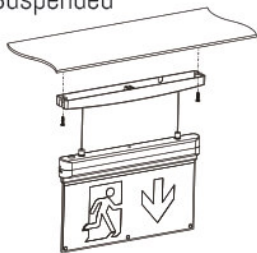
- 4-in-1 (Suspended, Surface/Semi-recessed & Wall mounted options included)
- Complete with choice of legend (Left, Down, Right, Up)
- 6000K
- Input Voltage: 220-240V
- Input Frequency: 50/60Hz
- Polycarbonate body & diffuser
- Charging time: 24 Hours
- 3 Hour emergency
- Test button incorporated
- Working temperature: 36°C
- Battery spec: Ni-Cd 3.6V 800mAh
- Weight: 699g
- 40,000hr Lifetime / 3 Year warranty

Dimensions

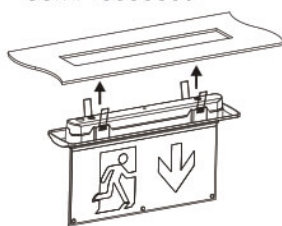


Mounting Options

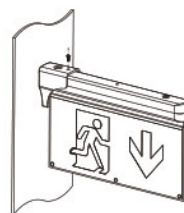
Suspended



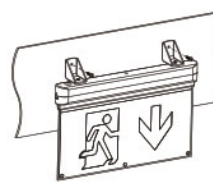
Surface or Semi-recessed



Wall Mounted



Wall Mounted



Choice of legend



LG1



LG2



LG3



LG4





<http://www.emcogroup.co.uk/EMLEDXBM>, EMLED, 4-in-1, Emergency exit