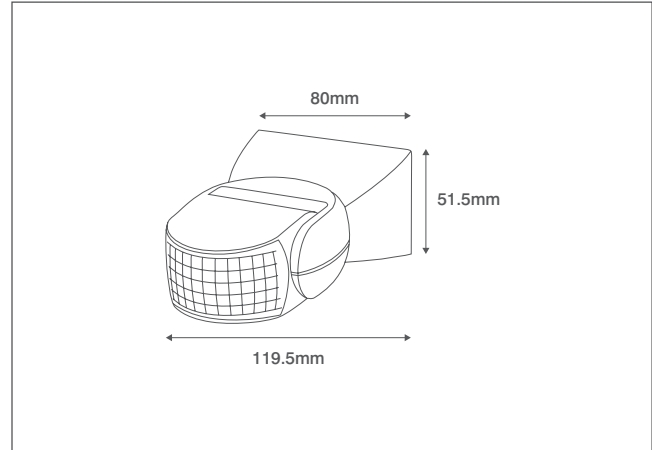


# CONTROLS

## Technical Specification

Product Code: OVPIR004BK

Description: Wall Mounted Multi-Directional 180° PIR - IP65 - Black



### General Information

Dimensions	80mm (W) x 51.5mm (H) x 119.5mm (D)
Materials	Body: Polycarbonate (UV Stabilised)
Finish	Black
Typical Mounting	Vertical / Wall
Working Humidity	<93%RH
Ingress Protection	IP65
Warranty	5 Years

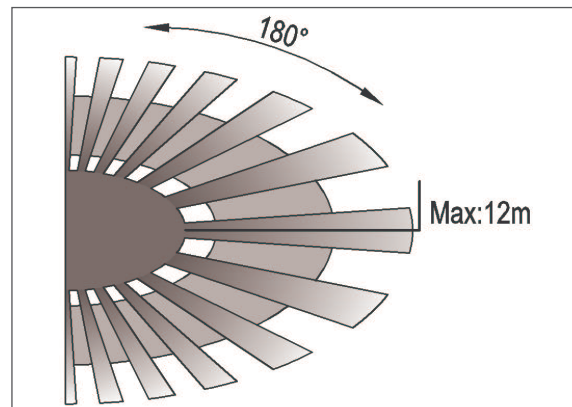
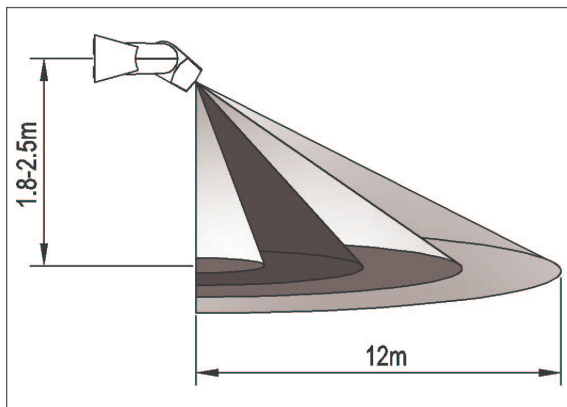
### Supply & Power

Input Voltage & Frequency	220-240V~ 50/60Hz
Terminations	Input: Permanent Live & Neutral Output: Switched Live (All Screw Terminals)
Electrical Safety	Class II (Double Insulated)
Load Rating	300W - LED & Compact Fluorescent 1200W - Incandescent & Halogen
Zero Cross Technology	Yes
Power Consumption	0.5W Approx.
Ambient Temperature (Ta)	-20°C - +40°C

### Sensor Parameters & Settings

Installation Height	1.8 Metres to 2.5 Metres	
Detection Distance	12 Metres Max. (<24°C)	
Detection Angle	180°	
Detection Motion Speed	0.6-1.5m/s	
Manual Adjustments	Time Delay	10 Seconds (Min. +3 Seconds) to 15 Minutes (Max. +- 2 Minutes)
	Lux Level	3 Lux (Minimum) to 2000 Lux (Maximum)

### Detection Area Schematics



OVIA Limited, Scolmore House, Mariner, Lichfield Road Industrial Estate, Tamworth, Staffordshire, B79 7UL United Kingdom

T: +44 (0)1827 300640

E: sales@oviaUK.com | W: oviaUK.com