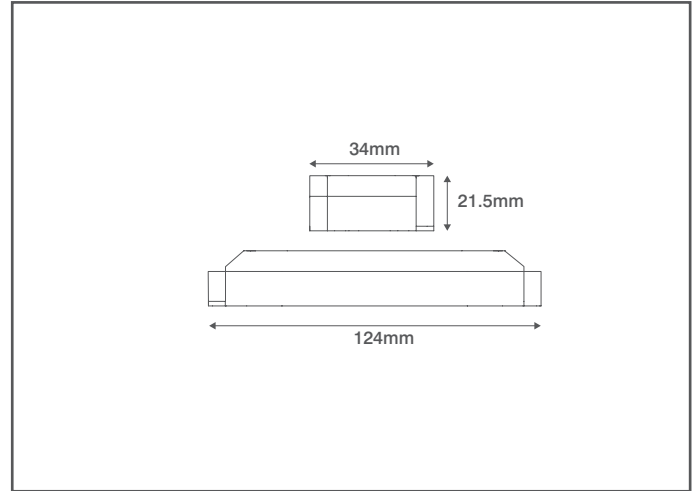


# ACCESSORIES

## Technical Specification

Product Code: OVTR301

Description: 12V 0.5-15W DC LED Driver



### General Information

Dimensions	124mm (L) x 34mm (W) x 21.5mm (D)
Materials	Body: Polycarbonate
Finish	Blue
Product Weight	0.058Kg
Dimmable	No
Ingress Protection	IP20
Compatible Fittings	OV203 & OV204 Ranges or Suitable 12V DC LED Luminaires
Warranty	1 Year

### Supply & Power

Input Voltage & Frequency	220-240V~ 50/60Hz
Electrical Safety	Class II (Double Insulated)
Input Power/Rated Power	0.5-15W Max./0.5-15W Max.
Cable Size Max.	0.75mm <sup>2</sup>
Current Rating	1.25A Max.
Output Voltage	12V DC
Ambient Temperature (Ta)	+45°C
Critical Temperature	+85°C
Output Mode	Constant Current
Termination	Terminal Block (Screw Terminals)



OVIA Limited, Scolmore House, Mariner, Lichfield Road Industrial Estate, Tamworth, Staffordshire, B79 7UL United Kingdom

T: +44 (0)1827 300640

E: sales@oviaUK.com | W: oviaUK.com