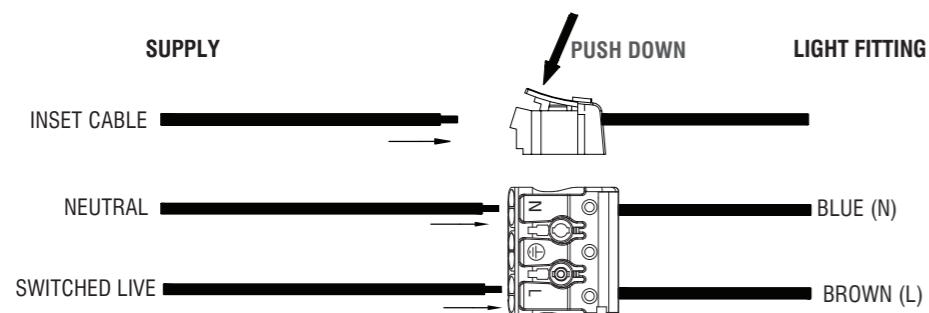


Wiring

Having correctly identified the wiring from your existing light fitting, pull the mains wire through the hole and connect to the quick fit connection block in the following way. No tools are necessary.



Check that...

You have correctly identified the wires.
The connections are tight.
No loose strands have been left out of the connection block.


Technical data


Supply Voltage: 220-240 V~, 50 Hz

Bulb Type: 95539---18/14/9W LED module (SMD) CCT, 3000/4000/6000K
102730---12/9/6W LED module (SMD) CCT, 3000/4000/6000K
102732---28/24/20W LED module (SMD) CCT, 3000/4000/6000K

This product contains a light source of energy efficiency class **D**.




 Waste electrical products should not be disposed of with household waste. Please recycle where facilities exist. Check with your Local Authority or local store for recycling advice.

 This product is not suitable for dimming.

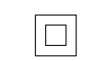
 This product is rated at IP65

 This product is rated at IK10 for 95539, 102730.

 This product is rated at IK08 for 102732.

 Conformity with all relevant UKCA Directive requirements.

 Conformity with all relevant EC Directive requirements.

 The power supply is Double Insulated and does not require connection to an Earth circuit.

Care and Safety

We recommend cleaning with a soft dry cloth. Do not use solvents or abrasive cleaners as these could damage the finish.
For your safety, always switch off the power supply before cleaning.

For further information, please visit <https://www.lighting-info.co.uk/95539>

V4 15/12/2022
UK Manufacturer: BH17 7BY
EU Manufacturer: Brilliant AG,
Brilliantstrasse 1, D-27442 Gnarrenburg

saxby
lighting

Instruction manual

HeroPro CCT

95539, 102730, 102732



www.saxbylighting.com

saxby
lighting

Thank you for purchasing this light fitting. Please read the instructions carefully before use to ensure safe and satisfactory operation of this product. Please retain these instructions for future reference.

Warning

This light fitting is double insulated and does not require connection to an earth circuit.

Please read these instructions carefully before commencing any work.

This unit must be fitted by a competent and qualified electrician.

Install in accordance with the IEE Wiring regulations and current Building Regulations.

Check the pack and make sure you have all the parts listed.

To prevent electrocution switch off at the mains supply before installing or maintaining this fitting. Ensure other persons cannot restore the electrical supply without your knowledge.

If you are in any doubt, please consult a qualified electrician.

This light fitting should be connected to a circuit with a 30mA RCD fitted.

If replacing an existing fitting, make a careful note of the connections.

Waste electrical products should not be disposed of with household waste. Please recycle where facilities exist. Check with your local authority or retailer for recycling advice.

Layout

Plan the desired layout of these fittings carefully, ensuring the cables will reach the distances between each light fitting.

Avoid locating any cables in positions that would cause a hazard. Position cables and junction boxes (not supplied) away from areas where they may be at risk from being cut, trapped or damaged.

The mains supply cable must have a minimum cross section area of 1.0mm².

Cables must be protected using suitable conduit or plastic trunking.

The products can be wall or ceiling mounted. If wall mounting ensure that the power supply is at the bottom.

Installation

Existing fittings must be completely removed before installation of a new product. Before removing the existing fitting, carefully note the position of each set of wires.

Note the switch is turned off before installation.

The ceiling surface must be flat and smooth to ensure a good fit.

Ensure that the screws and cable entry points are sealed to maintain the IP rating of the product.

- Twist and remove the lamp cover from the product, keep safe for refitting later.
- Turn the clip to loose the LED tray in the rear casing.
- Using the rear casing as a template mark the position to drill out the fixing holes. Take care to avoid damaging any concealed wiring and pipes.
- Fix the rear casing into the position using the installation plugs and screws.
- Pull the cable through the cable entry hole and seal to maintain the IP rating and wire as detailed Wiring Diagram.
- Refit the LED tray back into the rear casing and lock the clip.
- Twist the lamp cover back onto the product and lock in place.
- Replace fuse or circuit breaker and switch on. Your light is now ready for use.



The wattage is changeable between the different wattage using the wattage switch on the driver before installation.

For the 102730 is the 12W/9W/6W selectable

For the 95539 is the 18W/14W/9W selectable

For the 102732 is the 28W/24W/20W selectable

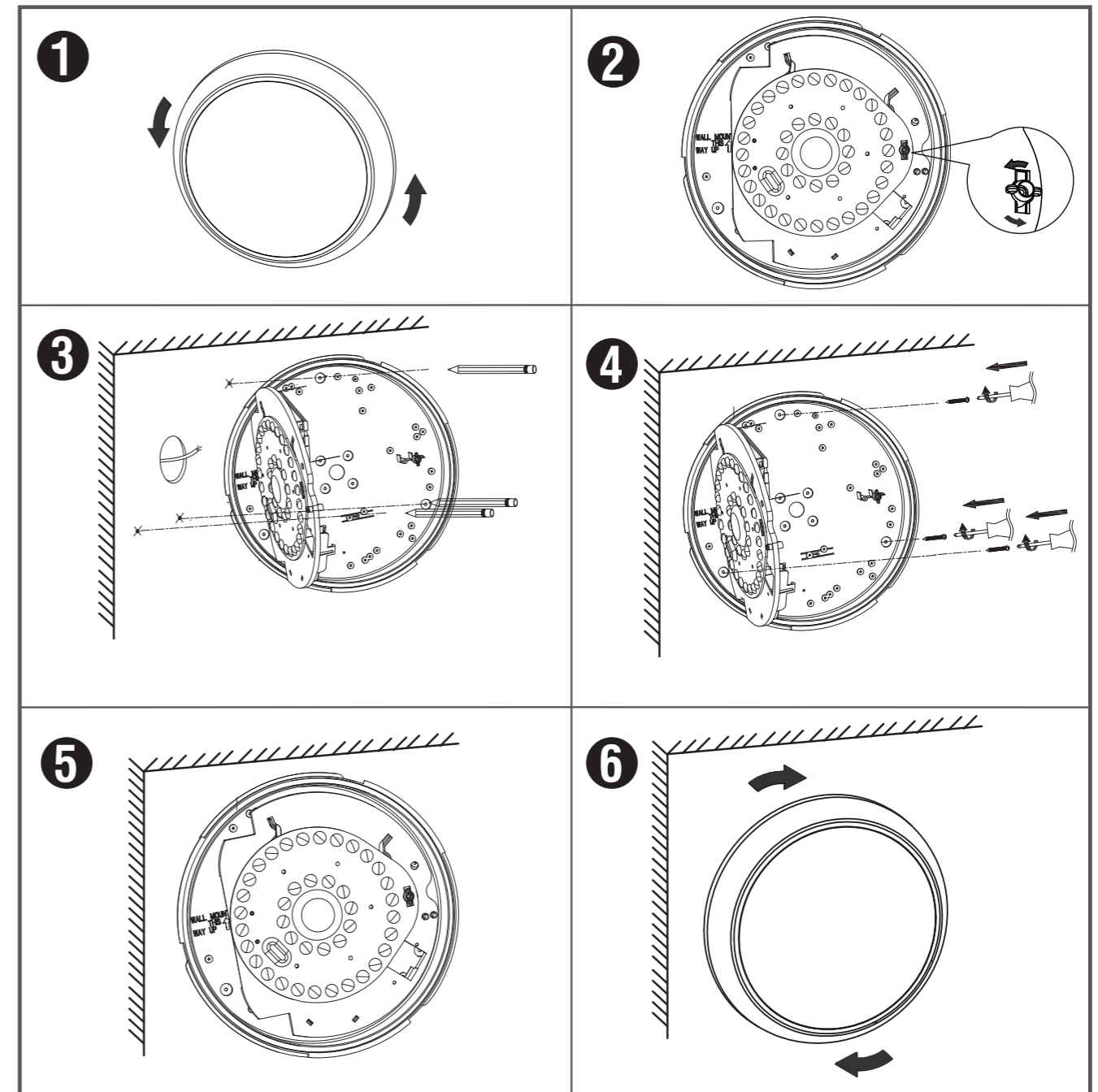
The colour is changeable between 3000/4000/6000K using the CCT switch on the driver before installation.

6000K 4000K 3000K

Choose your preferred wattage and colour before installing by wattage switch or CCT switch on the driver.

Note: Before you change the wattage or colour, please turn off the power switch for safety.

* Product images may vary.



Bezels for 95539 only

The following individual casings are available for purchase separately.

95545 : Chrome plain 95548 : Black plain 95551 : Anthracite grey plain

95546 : White eyelid 95549 : Black eyelid 95552 : Anthracite grey eyelid

95547 : White grill 95550 : Black grill 95553 : Anthracite grey grill